

Black Plate

(# 33212/33312/33224/33324/33196/33296/33396/332384/333384)

1. Description

SPL Black Plate has low auto-fluorescence with efficient light blocking ability to obtain most accurate result in fluorescence experiments. Also, microscopic observation can be done simultaneously with fluorescence experiment due to its highly transparent bottom.

Surface materials for Black Plates

Glass: naturally charged, good growth surface for adherent cells

FLux: surface modified plastic film (188 μm thick), optimal for confocal microscopy

PS: thinner than existing PS plate, good for cell attachment and microscopic observation.

2. Features

- ❖ Black Wall/Clear Bottom
- ❖ Bottom materials: Glass or FLux or PS
- ❖ Designed to prevent cross contamination
- ❖ Effective gas exchange lid inner design
- ❖ Alphanumeric labeling
- ❖ Individual packaging in plastic tray (Cat.No. 33196/33296/332384/333384)

3. Functional Test

| | | |
|--------------------|---|--------|
| Sterility | : | Passed |
| Non-Cytotoxic | : | Passed |
| Non-Pyrogenic | : | Passed |
| DNase / RNase free | : | Passed |
| DNA free | : | Passed |

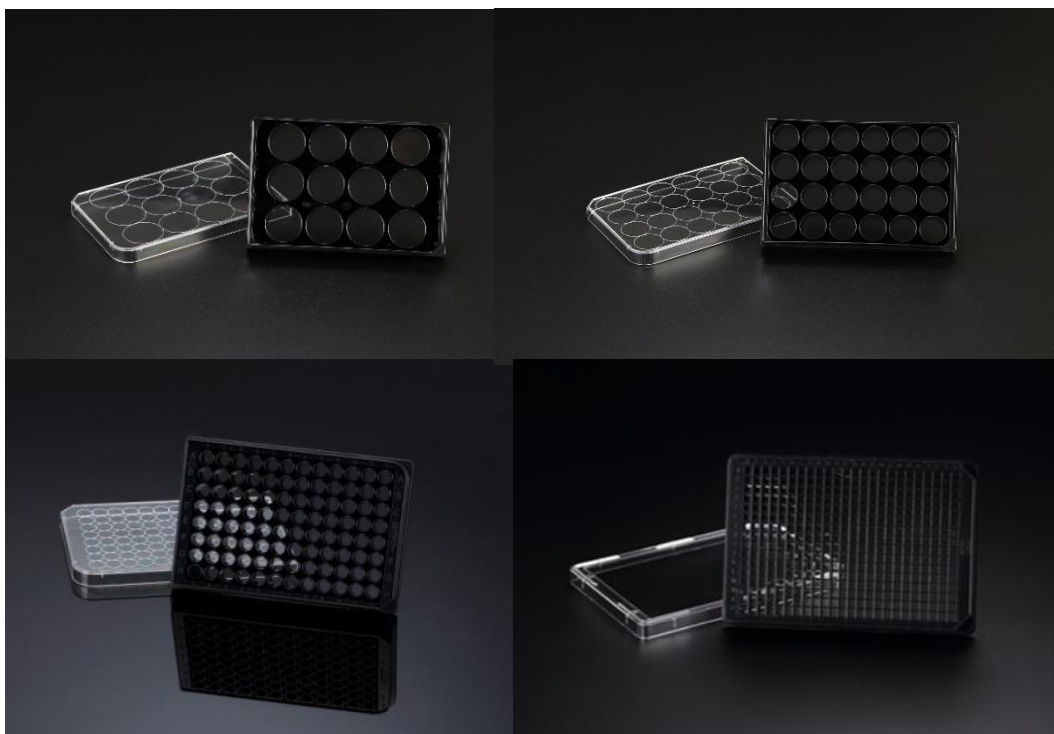
4. Product Range

| Cat. No. | Material (Plate/Bottom) | Bottom Type | External Dimension (mm) | Well Dimension d x h (mm) | Growth Area (cm ²) | Working Volume (ml) | Surface Treatment | Sterile | Packaging |
|----------|-------------------------|-------------|-------------------------|---------------------------|--------------------------------|---------------------|-------------------|---------|-----------|
| 33212 | PS / FLux | Flat | 85.40 x 127.60 x 20.20 | 21.90 x 17.50 | 3.80 | 2.00 | + | + | 1 / 10 |
| 33312 | PS / PS | Flat | 85.40 x 127.60 x 20.20 | 21.90 x 17.50 | 3.80 | 2.00 | + | + | 1 / 10 |
| 33224 | PS / FLux | Flat | 85.40 x 127.60 x 20.20 | 15.50 x 17.50 | 1.90 | 1.00 | + | + | 1 / 10 |
| 33324 | PS / PS | Flat | 85.40 x 127.60 x 20.20 | 15.50 x 17.50 | 1.90 | 1.00 | + | + | 1 / 10 |
| 33196 | PS / Glass | Flat | 85.40 x 127.60 x 14.40 | 6.50 x 10.80 | 0.30 | 0.20 | - | + | 1 / 20 |
| 33296 | PS / FLux | Flat | 85.40 x 127.60 x 14.40 | 6.50 x 10.80 | 0.30 | 0.20 | + | + | 1 / 20 |
| 33396 | PS / PS | Flat | 85.40 x 127.60 x 14.40 | 6.50 x 10.80 | 0.30 | 0.20 | + | + | 5 / 25 |
| 332384 | PS / FLux | Flat | 85.40 x 127.60 x 14.40 | 3.00 x 11.50 | 0.07 | 0.10 | + | + | 1 / 10 |
| 333384 | PS / PS | Flat | 85.40 x 127.60 x 14.40 | 3.00 x 11.50 | 0.07 | 0.10 | + | + | 1 / 10 |

5. Certification

SPL Life Sciences hereby certifies that the product identified above, inspected to be in compliance with product quality specification and requirements as documented in our ISO 9001:2015 Quality Management System (K-QA-Q031478) in Korea.

6. Product Photographs



7. Specifications & Technical Drawing

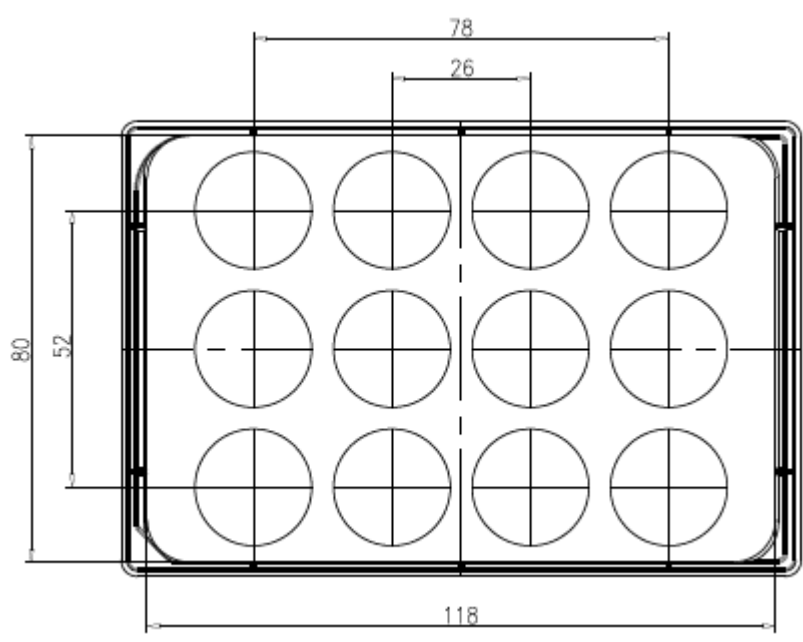
(1) 12well Black Plate (#33212/33312)

- Specifications

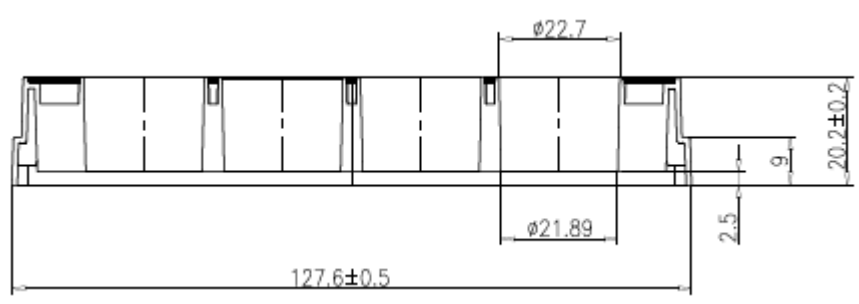
| Dimensions | | Material (Resin) | Packaging |
|------------------|----------------------|--|---|
| Lid | Plate | | |
| Length: | 127.10 mm | Plate: Crystal-grade polystyrene (PS) Bottom: FLux Film (33212), PS Film (33312) | <ul style="list-style-type: none"> • Pieces/Sleeve: 1 • Pieces/Case: 10 |
| Width: | 84.90 mm | | |
| Height: | 9.00 mm | | |
| Volume per Well: | 2.00 ml | | |
| Growth Area: | 3.80 cm ² | | |

- Technical Drawing

Plate



Flat Bottom





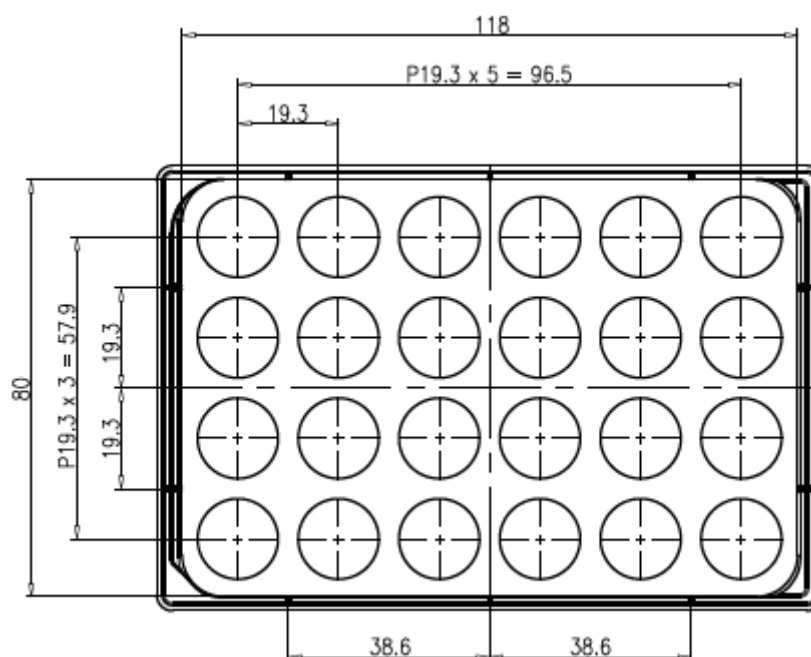
(2) 24well Black Plate (#33224/33324)

- Specifications

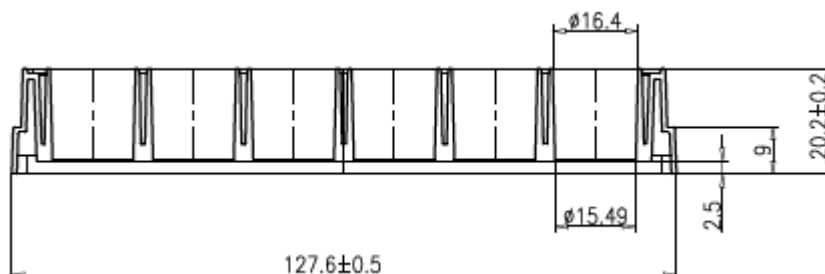
| Dimensions | | Material (Resin) | Packaging |
|-----------------------------------|--------------------------|--|---|
| Lid | Plate | | |
| Length: 127.10 mm | Length: 118.00 mm | Plate: Crystal-grade polystyrene (PS) Bottom: FLux Film (33224), PS Film (33324) | <ul style="list-style-type: none"> • Pieces/Sleeve: 1 • Pieces/Case: 10 |
| Width: 84.90 mm | Width: 80.00 mm | | |
| Height: 9.00 mm | Height: 20.20 mm | | |
| | Well Dimension: 16.40 mm | | |
| Volume per Well: 1.00 ml | | | |
| Growth Area: 1.90 cm ² | | | |

- Technical Drawing

Plate



Flat Bottom



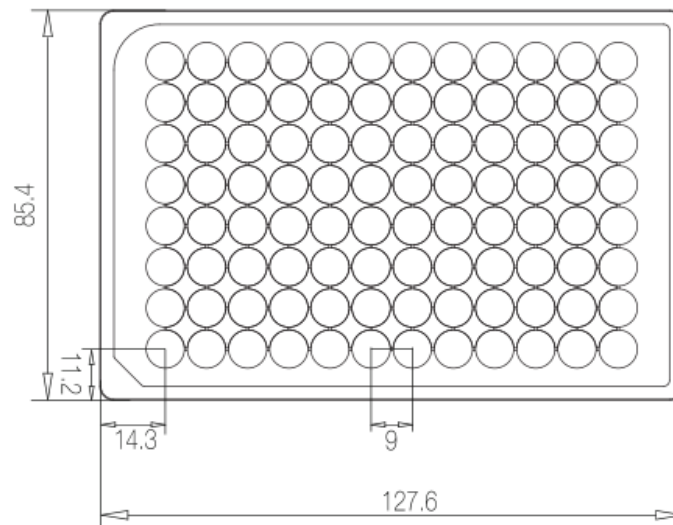
(3) 96well Black Plate (#33196/33296/33396)

- Specifications

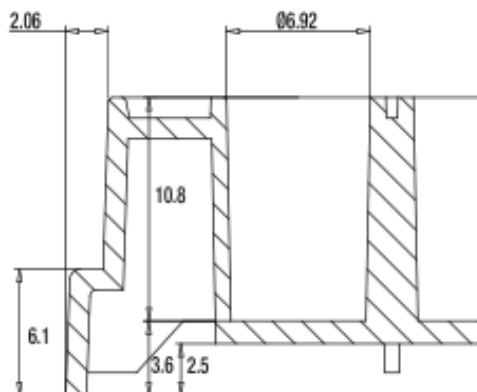
| Dimensions | | Material (Resin) | Packaging |
|---|---|--|---|
| Lid | Plate | | |
| Length: 127.10 mm Width: 84.90 mm Height: 9.00 mm | Length: 127.60 mm Width: 85.40 mm Height: 14.40 mm Well Dimension: 6.40 mm | Plate: Crystal-grade polystyrene (PS) Bottom: Glass (33196), FLux Film (33296), PS Film (33396) | <ul style="list-style-type: none"> • Pieces/Sleeve: 1 • Pieces/Case: 20 |
| Volume per Well: Growth Area: | 0.20 ml 0.32 cm ² | | |

- Technical Drawing

Plate



Flat Bottom



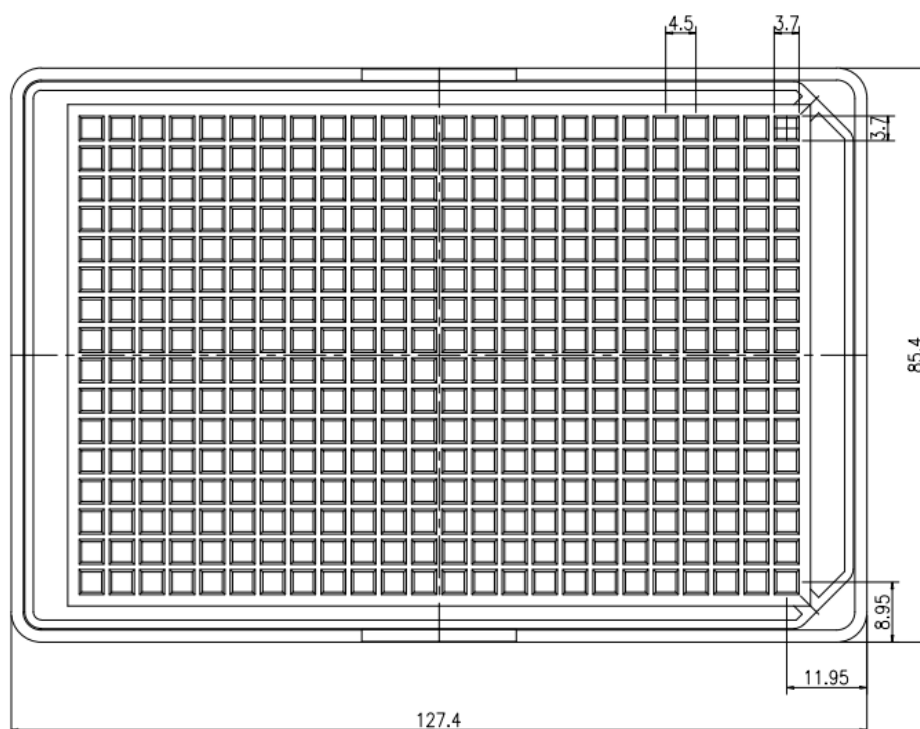
(4) 384well Black Plate (#332384/333384)

- Specifications

| Dimensions | | Material (Resin) | Packaging |
|--------------------------|-----------------------------------|--|---|
| Lid | Plate | | |
| Length: 127.10 mm | Length: 127.40 mm | Plate: Crystal-grade polystyrene (PS) Bottom: FLux Flim (335384), PS Film (336384) | <ul style="list-style-type: none"> • Pieces/Sleeve: 1 • Pieces/Case: 10 |
| Width: 84.90 mm | Width: 85.40 mm | | |
| Height: 9.00 mm | Height: 14.40 mm | | |
| | Well Dimension: 3.70 mm | | |
| Volume per Well: 0.10 ml | Growth Area: 0.07 cm ² | | |

- Technical Drawing

Plate



Flat Bottom

