

## Dialysis Chamber

### 1. Description

Dialysis Chamber is used for various dialysis applications such as desalting, buffer exchange, labeling, reagent removal, drug binding experiment, cell growth and supply, virus purifications, blood transformation, etc. It is configured to rapidly and effectively dialysis a wide range of 3 ml ~ 15 ml volume, and guarantees 95 ~ 98% higher recovery rate than Dialysis tubing type.

### 2. Features

- ❖ Excellent pH and chemical stability (pH 5 ~ 9)
- ❖ Membrane composition: Regenerated Cellulose (RC)
- ❖ Membrane Weight Cut-Off (MWCO): 3.5K, 7K 14K
- ❖ 3 mL Dialysis Chamber (Cat. No. 97003, 97007, 97014)
- ❖ 15 mL Dialysis Chamber (Cat. No. 97103, 97107, 97114)
- ❖ Float buoys for floating 3 mL dialysis Chamber (Cat. No. 97099)

### 3. Product Range

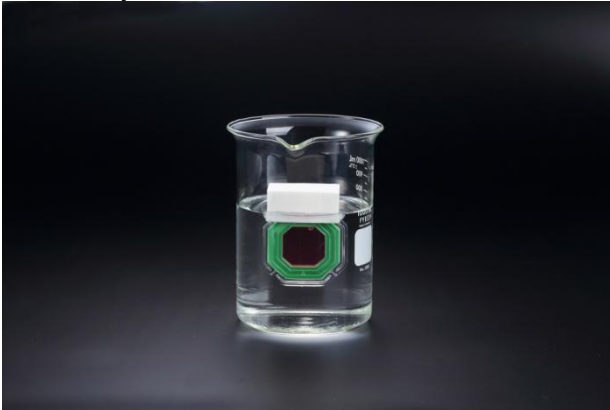
Cat.No.	Materials (Body / Membrane)	Color	MWCO	Working Volume (mL)	Packaging
97003	PC / RC	Green	3.5 K	3.00 - 5.00	1 / 10
97007	PC / RC	Blue	7 K	3.00 - 5.00	1 / 10
97014	PC / RC	White	14 K	3.00 - 5.00	1 / 10
97099	Sponge	White	-	-	10
97103	PC / RC	Green	3.5 K	13.00 - 15.00	1 / 8
97107	PC / RC	Blue	7 K	13.00 - 15.00	1 / 8
97114	PC / RC	White	14 K	13.00 - 15.00	1 / 8

### 4. Certification

SPL Life Sciences hereby certifies that the product identified above, inspected to be in compliance with product quality specification and requirements as documented in our ISO 9001:2015 Quality Management System (K-QA-Q031478) in Korea.

## 5. Product Photographs

### (1) 3 mL Dialysis Chamber



### (2) Float Buoy Sponge (for 3 mL dialysis chamber)



### (3) 15 mL Dialysis Chamber



## 6. Specifications & Technical Drawing

### (1) 3 mL Dialysis Chamber (# 97003, 97007, 97014)

#### - Specifications

External Dimensions		Internal Dimensions		Materials (Body / Membrane)	Working Volume (ml)	SterilesPackaging
Length:	64.00 mm	Length:	31.86 mm	PC / RC	3.00 – 5.00	<ul style="list-style-type: none"> <li>▪ Pieces/Sleeve: 1</li> <li>▪ Pieces/Case: 10</li> </ul>
Width:	62.00 mm	Width:	29.86 mm			
Height:	6.00 mm	Height:	3.4 mm			

### (2) Float Buoy Sponge (#97099)

#### - Specifications

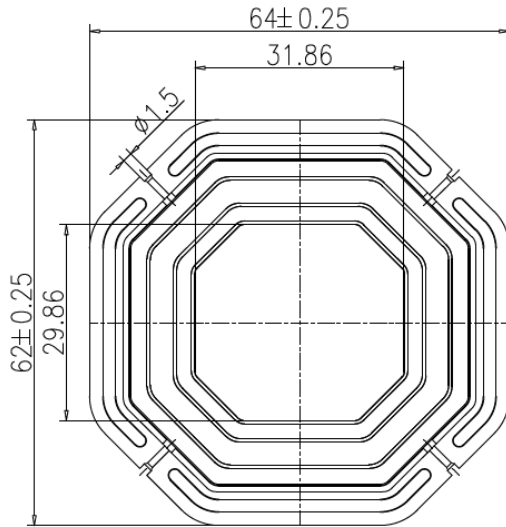
Dimensions		Sufficient For	Materials	SterilesPackaging
Length:	30.00 mm	Flating one 3mL Diaylsis Chamber	Sponge	<ul style="list-style-type: none"> <li>▪ Pieces/Sleeve: 10</li> <li>▪ Pieces/Case: 10</li> </ul>
Width:	25.00 mm			
Height:	50.00 mm			

SPL-TDS-Dialysis

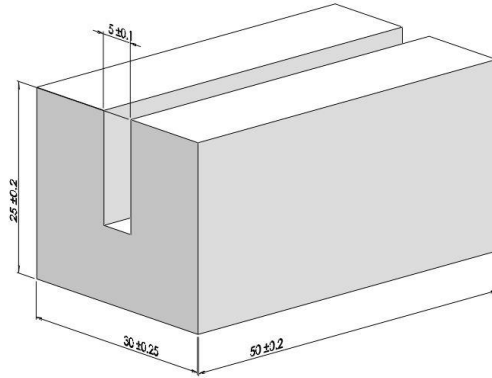
For Research Use Only. Not intended for use in diagnostic or therapeutic procedures.  
© SPL Life Sciences Co., Ltd., Version 1, AUG. 25<sup>nd</sup>, 2020

## - Technical Drawing

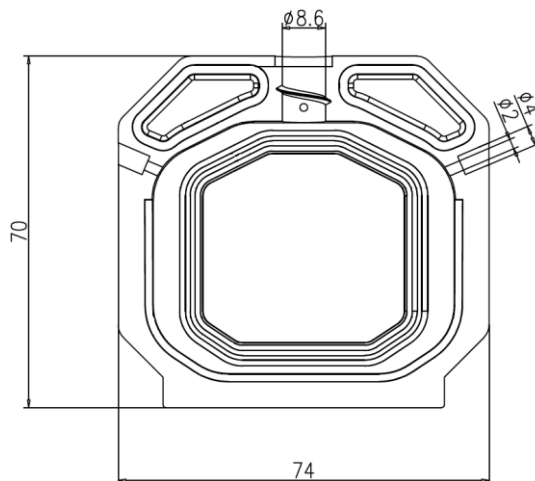
Cat. No. 97003/97007/97014



Cat. No. 97099



Cat. No. 97103/97107/97114



12086 Miramar Pkwy  
 Miramar, Florida, 33025, USA  
 +1 (305) 600-0444  
 info@prolabcorp.com  
 www.prolabcorp.com

SPL-TDS-Dialysis

For Research Use Only. Not intended for use in diagnostic or therapeutic procedures.  
 © SPL Life Sciences Co., Ltd., Version 1, AUG. 25<sup>th</sup>, 2020

