

Black & White Immunoplate Strip (#31796/31896/31596/31696)

1. Description

SPL provides high quality products suitable for fluorescence and luminescence assays. Successful testing of SPL products have been performed in many research laboratories, results featuring high signal with low background.

- **White plates** : maximum reflection and minimum cross-talk for luminescence assay.
- **Black plates** : minimum light scattering and cross-talk during fluorescence assay.
- **Maxibinding** : Modified polystyrene surface for higher binding capacity for proteins and other molecules with both hydrophilic and hydrophobic regions. (Recommended for most ELISA experiments)
- **Unibinding** : Suitable for adsorption of hydrophobic molecules.(Antigen ELISA)

2. Features

- ❖ Suitable for fluorescence and luminescence assay
- ❖ 2 surface types
- ❖ 8 well strip type
- ❖ No lid
- ❖ Flat Bottom
- ❖ Raised rims on the wells
- ❖ Alphanumeric labeling
- ❖ Designed for easy handling and automation

3. Product Range

Cat.No.	Material	Well Color	Surface Type	External Dimension w x l x h(mm)	Bottom Surface Area (cm ²)	Total Vol. (μl)	Working Vol. (μl)	Packaging
31796	PS	White	Maxibinding	85.4 x 127.6 x 14.4	0.33	300	200	10 / 100
31896	PS	Black	Maxibinding	85.4 x 127.6 x 14.4	0.33	300	200	10 / 100
31596	PS	White	Unibinding	85.4 x 127.6 x 14.4	0.33	300	200	10 / 100
31696	PS	Black	Unibinding	85.4 x 127.6 x 14.4	0.33	300	200	10 / 100

4. Certification

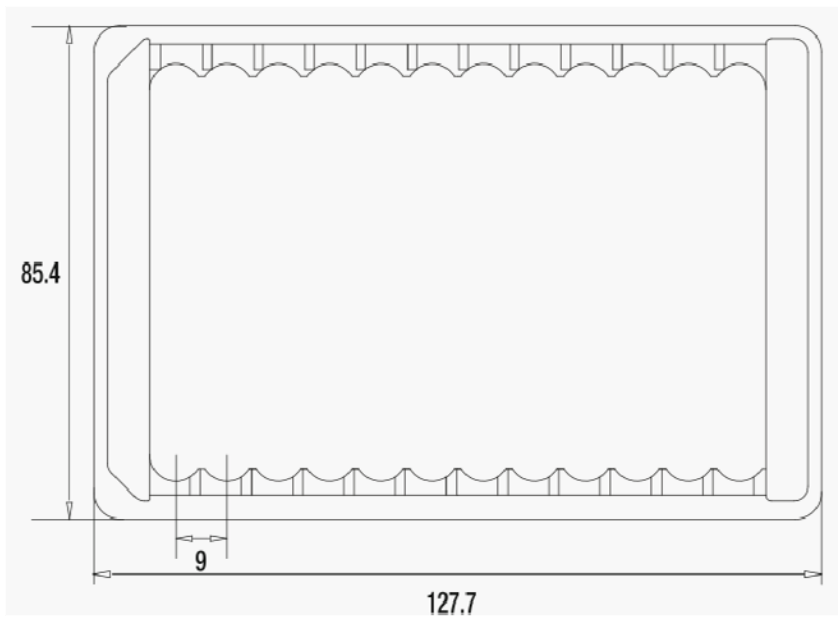
SPL Life Sciences hereby certifies that the product identified above, inspected to be in compliance with product quality specification and requirements as documented in our ISO 9001:2015 Quality Management System (K-QA-Q031478) in Korea.

5. Specifications & Technical Drawing

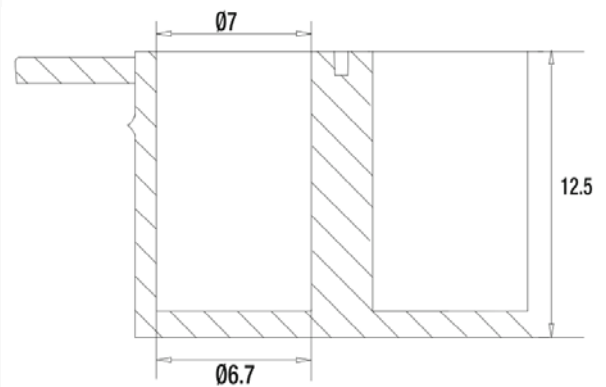
- Specifications

		Dimensions		Material (Resin)	Packaging
Strip	Plate module	Well			
Length: 8.50 mm	Length: 85.40 mm	Diameter: 6.70 mm		Crystal-grade polystyrene (PS)	<ul style="list-style-type: none"> • Pieces/Sleeve: 10 • Pieces/Case: 100
Width: 81.00 mm	Width: 127.60 mm	Depth: 11.30 mm			
Height: 12.50 mm	Height: 14.30 mm	Center to Center: 9.00 mm			

Plate Module



Flat bottom



Strip

