

## Cell Culture Square Bottle

(#51125/51126/51250/51251/51500/51501/51000/51001)

### 1. Description

SPL Life Sciences provides Cell Culture Square Bottles, suitable for animal cell and microbial suspension culture. The shape of the bottle is specially designed to cause turbulent flow of media when physically swirled for more effective solution mixing and oxygen supply. The square bottles are provided in four different volumes, which are all sterilized before the release.

### 2. Features

- ❖ Suitable for suspension cultures (animal cells, bacteria, fungi, plant callus, etc.)
- ❖ Require shaking apparatus (optimization of cell seeding density and working volume is recommended, depending on the type of cell)
- ❖ The square-shaped bottle is intended to cause turbulent flow like baffled Erlenmeyer Flask
- ❖ Plugs & filter caps are available for all bottle types
- ❖ Non-treated
- ❖ Transparent PET
- ❖ Non-autoclavable

### 3. Functional Test

Sterility	:	Passed
Cytotoxicity	:	Passed
Non-Pyrogenic	:	Passed
DNase/RNase-free	:	Passed
DNA free	:	Passed
Non-Hemolytic	:	Passed

### 4. Product Range

Cat.No.	Material (Bottle/Cap)	Cap Type	Total Volume (ml)	Sterile	Packaging
51125	PET / HDPE	Plug	125.00	+	1 / 36
51126	PET / HDPE	Filter	125.00	+	1 / 36
51250	PET / HDPE	Plug	250.00	+	1 / 30
51251	PET / HDPE	Filter	250.00	+	1 / 30
51500	PET / HDPE	Plug	500.00	+	1 / 15
51501	PET / HDPE	Filter	500.00	+	1 / 15
51000	PET / HDPE	Plug	1,000.00	+	1 / 8
51001	PET / HDPE	Filter	1,000.00	+	1 / 8

### 5. Certification

SPL Life Sciences hereby certifies that the product identified above, inspected to be in compliance with product quality specification and requirements as documented in our ISO 9001:2015 Quality Management System (K-QA-Q031478) in Korea.



6. Product Photographs



SPL-TDS\_CCSB

For Research Use Only. Not intended for use in diagnostic or therapeutic procedures.  
© SPL Life Sciences Co., Ltd., Version 2, November 20<sup>th</sup>, 2018



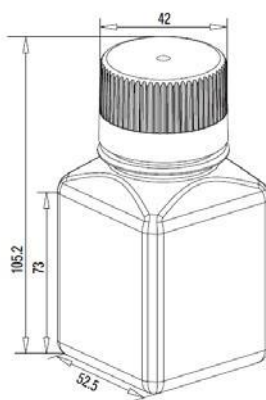
## 7. Specifications & Technical Drawing

(1) 125 ml Cell Culture Square Bottle (# 51125/51126)

- Specifications

	Dimensions	Material (Resin)	Packaging
Cap	Diameter: 42.00 mm Height: 28.00 mm	High-density polyethylene (HDPE)	<ul style="list-style-type: none"> <li>▪ Pieces/Sleeve: 1</li> <li>▪ Pieces/Case: 36</li> </ul>
	Filter Cap Hole: 12.5 mm		
Body	Length: 52.50 mm Width: 52.50 mm Height: 105.20 mm	Polyethylene terephthalate (PET)	

- Technical Drawing

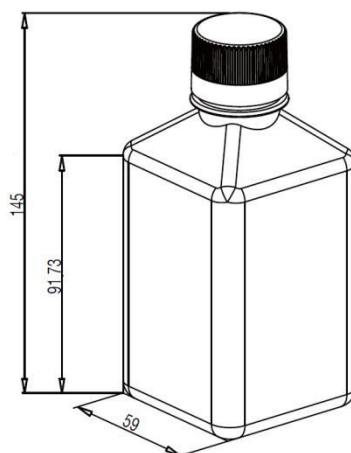


(2) 250 ml Cell Culture Square Bottle (# 51250/51251)

- Specifications

	Dimensions	Material (Resin)	Packaging
Cap	Diameter: 42.00 mm Height: 28.00 mm	High-density polyethylene (HDPE)	<ul style="list-style-type: none"> <li>▪ Pieces/Sleeve: 1</li> <li>▪ Pieces/Case: 30</li> </ul>
	Filter Cap Hole: 12.5 mm		
Body	Length: 59.00 mm Width: 59.00 mm Height: 146.96 mm	Polyethylene terephthalate (PET)	

- Technical Drawing



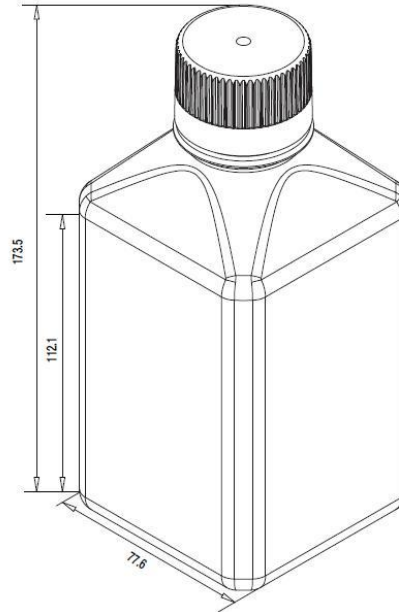
SPL-TDS\_CCSB

For Research Use Only. Not intended for use in diagnostic or therapeutic procedures.  
© SPL Life Sciences Co., Ltd., Version 2, November 20<sup>th</sup>, 2018

(3) 500 ml Cell Culture Square Bottle (# 51500/51501)  
 - Specifications

	Dimensions	Material (Resin)	Packaging
Cap	Diameter: 42.00 mm Height: 28.00 mm	High-density polyethylene (HDPE)	<ul style="list-style-type: none"> <li>▪ Pieces/Sleeve: 1</li> <li>▪ Pieces/Case: 15</li> </ul>
	Filter Cap Hole: 12.5 mm		
Body	Length: 77.60 mm Width: 77.60 mm Height: 173.50 mm	Polyethylene terephthalate (PET)	

- Technical Drawing



(4) 1000 ml Cell Culture Square Bottle (# 51000/51001)  
 - Specifications

	Dimensions	Material (Resin)	Packaging
Cap	Diameter: 42.00 mm Height: 28.00 mm	High-density polyethylene (HDPE)	<ul style="list-style-type: none"> <li>▪ Pieces/Sleeve: 1</li> <li>▪ Pieces/Case: 8</li> </ul>
	Filter Cap Hole: 12.5 mm		
Body	Length: 93.00 mm Width: 93.00 mm Height: 214.50 mm	Polyethylene terephthalate (PET)	

- Technical Drawing

