

Media Bottle

(#56060/56061/56125/56250/56500/56000)

1. Description

SPL Life Sciences media bottles, composed of high-strength plastic material, are intended for storing and transporting general reagents and cell culture reagents.

The square-shaped bottles are designed to maximize space saving, durability, strength, and clarity as close to glass as possible.

The bottles are provided as 60 ml, 125 ml, 250 ml, 500 ml, and 1000 ml, and are shrink-wrapped in a double-walled corrugated paper boxes and thoroughly sterilized for best quality.

2. Features

- ❖ Molded-in graduations
- ❖ Shrink-wrap tray modules

3. Functional Test

Sterility	:	Passed
Cytotoxicity	:	Passed
Non-Pyrogenic	:	Passed
DNase/RNase-free	:	Passed
DNA free	:	Passed
Non-Hemolytic	:	Passed

4. Product Range

Cat.No.	Material (Bottle/Cap)	Total Volume (ml)	Sterile	Packaging
56060	PET / HDPE	60.00	+	25 / 200
56061	PETG / HDPE	60.00	+	25 / 200
56125	PET / HDPE	125.00	+	24 / 96
56250	PET / HDPE	250.00	+	30 / 60
56500	PET / HDPE	500.00	+	24 / 48
56000	PET / HDPE	1000.00	+	12 / 24

5. Certification

SPL Life Sciences hereby certifies that the product identified above, inspected to be in compliance with product quality specification and requirements as documented in our ISO 9001:2015 Quality Management System (K-QA-Q031478) in Korea.

6. Product Photographs



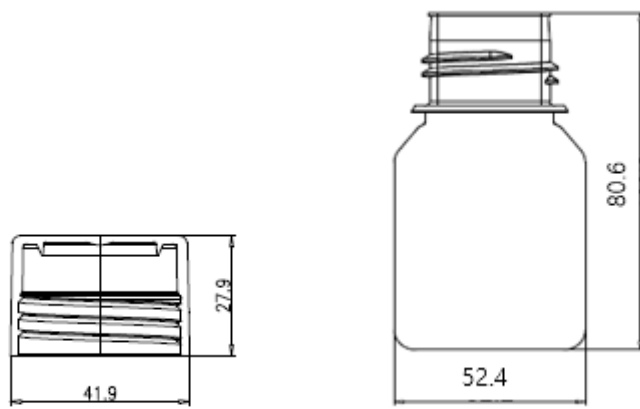
SPL-TDS-MEBO

7. Specifications & Technical Drawing

(1) 60 ml Square Media Bottle (# 56060/56061)
 - Specifications

	Dimensions	Material (Resin)	Packaging
Cap	Diameter: 41.90 mm Height: 27.90 mm	High-density polyethylene (HDPE)	<ul style="list-style-type: none"> ▪ Pieces/Sleeve: 25 ▪ Pieces/Case: 200
Body	Length: 52.40 mm Width: 52.40 mm Height: 80.60 mm Volume: 60 ml	Polyethylene terephthalate (PET) Glycol-modified Polyethylene Terephthalate (PETG)	

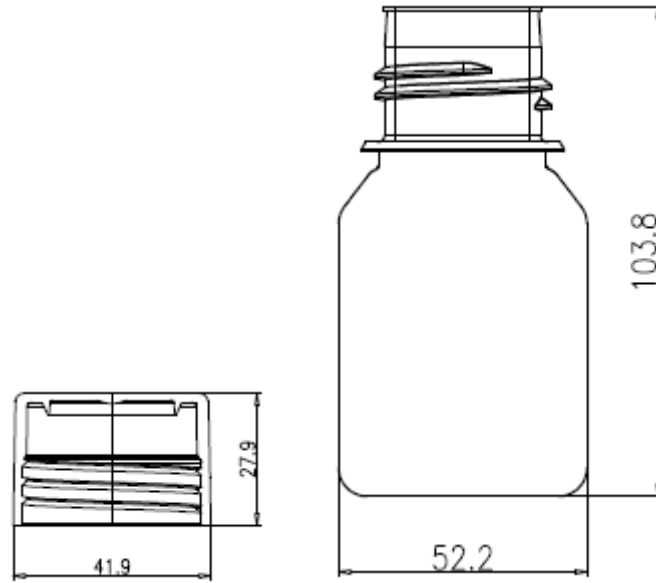
- Technical Drawing



(2) 125 ml Square Media Bottle (# 56125)
- Specifications

	Dimensions	Material (Resin)	Packaging
Cap	Diameter: 41.90 mm Height: 27.90 mm	High-density polyethylene (HDPE)	<ul style="list-style-type: none"> ▪ Pieces/Sleeve: 24 ▪ Pieces/Case: 96
Body	Length: 52.20 mm Width: 52.20 mm Height: 103.80 mm Volume: 125 ml	Polyethylene terephthalate (PET)	

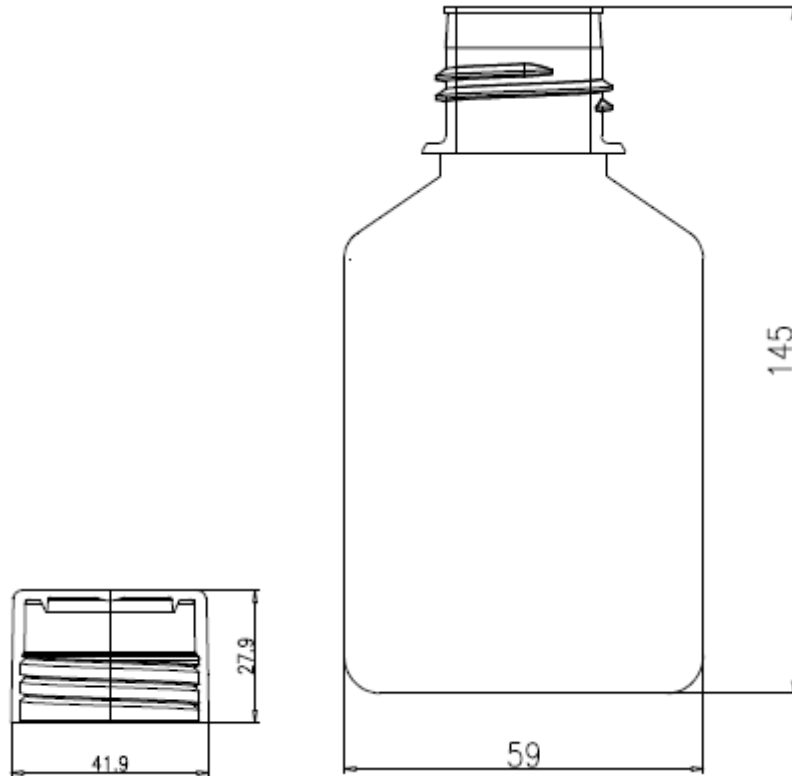
- Technical Drawing



(3) 250 ml Square Media Bottle (# 56250)
- Specifications

	Dimensions	Material (Resin)	Packaging
Cap	Diameter: 41.90 mm Height: 27.90 mm	High-density polyethylene (HDPE)	<ul style="list-style-type: none"> ▪ Pieces/Sleeve: 30 ▪ Pieces/Case: 60
Body	Length: 59.00 mm Width: 59.00 mm Height: 145.00 mm Volume: 250 ml	Polyethylene terephthalate (PET)	

- Technical Drawing

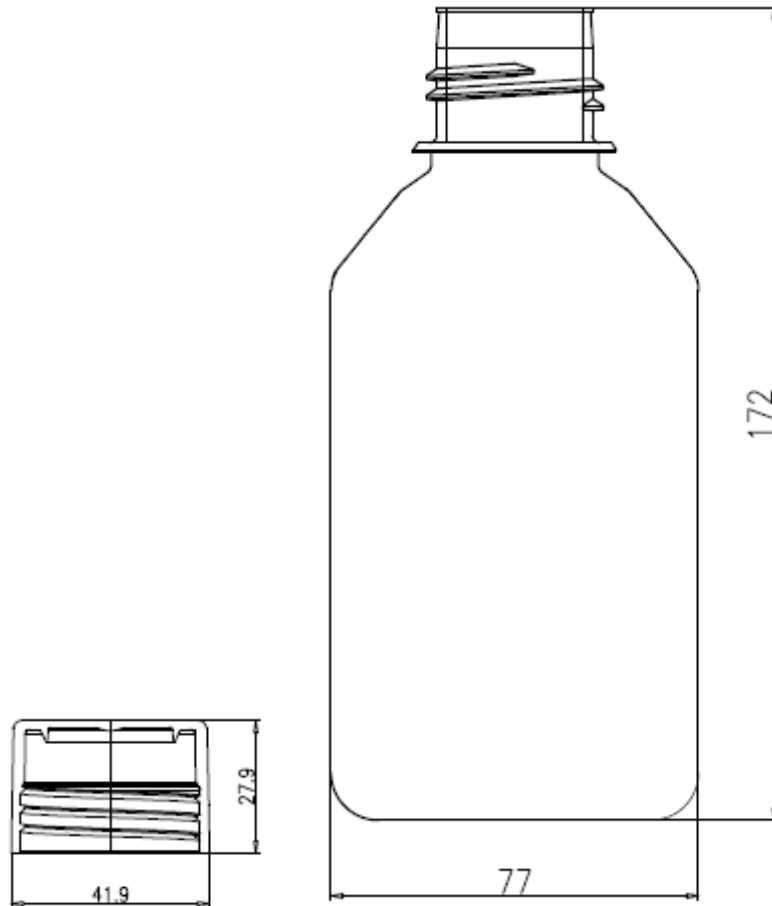


(4) 500 ml Square Media Bottle (# 56500)

- Specifications

	Dimensions	Material (Resin)	Packaging
Cap	Diameter: 41.90 mm Height: 27.90 mm	High-density polyethylene (HDPE)	<ul style="list-style-type: none"> ▪ Pieces/Sleeve: 24 ▪ Pieces/Case: 48
Body	Length: 77.00 mm Width: 77.00 mm Height: 172.00 mm Volume: 500 ml	Polyethylene terephthalate (PET)	

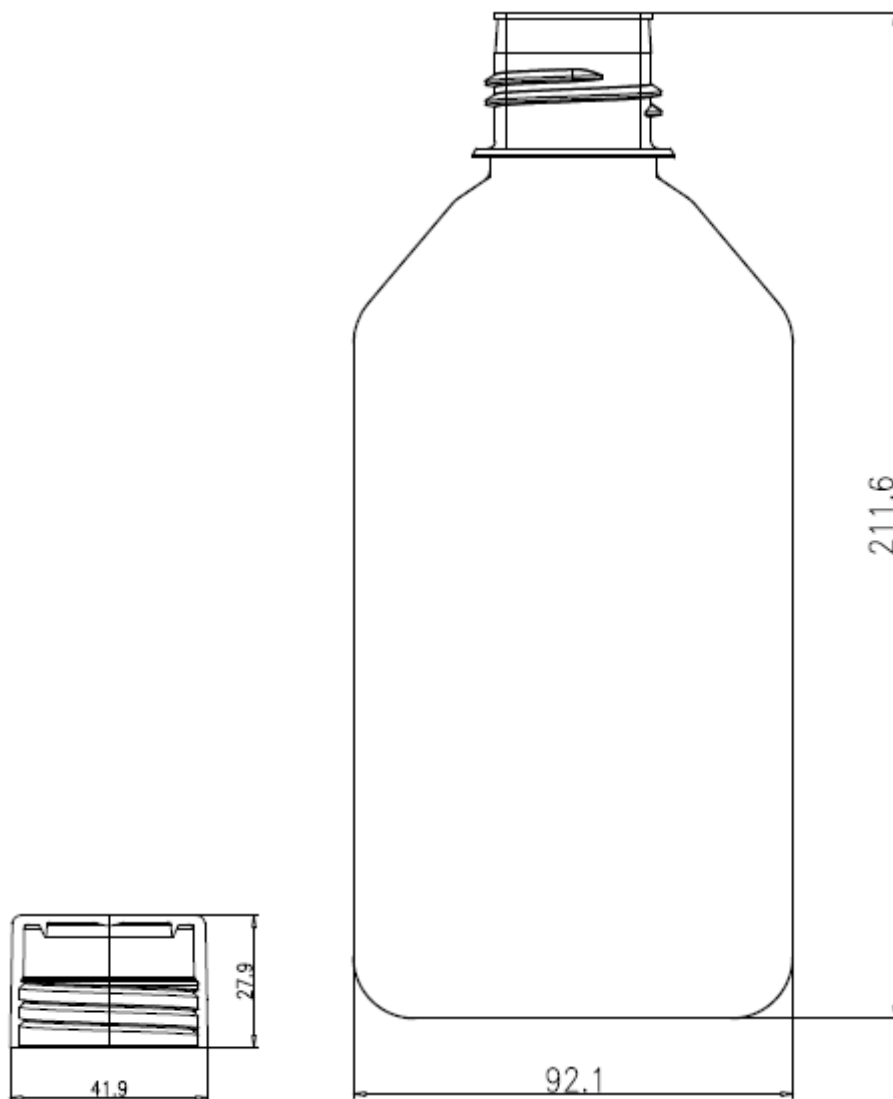
- Technical Drawing



(5) 1000 ml Square Media Bottle (# 56000)
- Specifications

	Dimensions	Material (Resin)	Packaging
Cap	Diameter: 41.90 mm Height: 27.90 mm	High-density polyethylene (HDPE)	<ul style="list-style-type: none"> ▪ Pieces/Sleeve: 12 ▪ Pieces/Case: 24
Body	Length: 92.10 mm Width: 92.10 mm Height: 211.60 mm Volume: 1000 ml	Polyethylene terephthalate (PET)	

- Technical Drawing



12086 Miramar Pkwy
Miramar Florida 33025
www.prolabcorp.com
+1 305 600 0444

SPL-TDS-MEBO

For Research Use Only. Not intended for use in diagnostic or therapeutic procedures.
© SPL Life Sciences Co., Ltd., Version 7, August 7th, 2023