

Microcentrifuge Tube

(#60015/60115/61015/62015/64015/60017/60117/61017/62017/61020/61120/64020)

1. Description

Smooth opening and tight closing are the unique features of SPL's Microcentrifuge Tubes. Microcentrifuge Tubes are produced with high quality and high strength polypropylene to meet the demanded of various applications of molecular biology works.

2. Features

- ❖ Snap cap opens smoothly but seals tight (1.5ml, 2.0ml)
- ❖ Piercing port in the center of the cap is penetrable by syringe needles (1.5ml, 3.0ml)
- ❖ Has excellent visibility (1.7ml)
- ❖ 5 colors : Blue, Green, Orange, Pink, Yellow (Cat. No. 61015, 61017)
- ❖ Amber Max offers more powerful light shielding. (Cat. No. 64015, 64020)
- ❖ Autoclavable

3. Functional Test

Cytotoxicity	:	Passed
Non-Pyrogenic	:	Passed
RNase/DNase free	:	Passed
Human DNA free	:	Passed

4. Product Range

Cat. No.	Material	Color	Total Volume	RCF Rating	Packaging
60015	PP	Clear	1.5 ml	30,000 x g	500/1000/5000
60115	PP	Clear	1.5 ml	30,000 x g	250/1000/5000
61015	PP	5 Color	1.5 ml	30,000 x g	200/1000/5000
62015	PP	Amber	1.5 ml	30,000 x g	200/1000/5000
64015	PP	Amber Max	1.5 ml	30,000 x g	200/1000
60017	PP	Clear	1.7 ml	25,000 x g	500/1000/5000
60117	PP	Clear	1.7 ml	25,000 x g	250/1000/5000
61017	PP	5 colors	1.7 ml	25,000 x g	200/1000/5000
62017	PP	Amber	1.7 ml	25,000 x g	500/1000/5000
61020	PP	Clear	2.0 ml	20,000 x g	500/1000/5000
61120	PP	Clear	2.0 ml	20,000 x g	250/1000/5000
64020	PP	Amber Max	2.0 ml	20,000 x g	200/1000

5. Certification

SPL Life Sciences hereby certifies that the product identified above, inspected to be in compliance with product quality specification and requirements as documented in our ISO 9001:2015 Quality Management System (K-QA-Q031478) in Korea.

6. Product Photographs



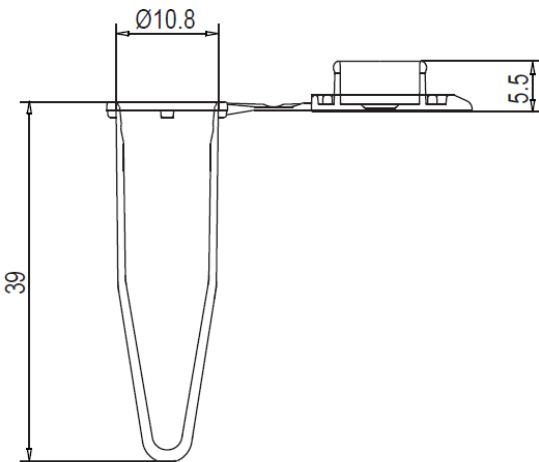
7. Specifications & Technical Drawing

(1) 1.5ml (#60015/60115/61015/62015/64015/60017/60117/61017/62017)

- Specifications

Dimensions		Material (Resin)	Packaging			
			60015/61015 60017/61017/62017	60115 60117	62015	64015
Diameter:	10.80 mm	Polypropylene (PP)	▪ Pieces/Out Box: 5000	▪ Pieces/Out Box: 5000	▪ Pieces/Out Box: 5000	▪ Pieces/In Box: 1000 ▪ Pieces/Sleeve: 200
Height:	39.00 mm		▪ Pieces/In Box: 1000 ▪ Pieces/Sleeve: 500	▪ Pieces/In Box: 1000 ▪ Pieces/Sleeve: 250	▪ Pieces/In Box: 1000 ▪ Pieces/Sleeve: 200	

- Technical Drawing



(2) 2.0ml (#61020/61120)

- Specifications

Dimensions		Material (Resin)	Packaging		
			61020	61120	64020
Diameter:	10.80 mm	Polypropylene (PP)	▪ Pieces/Out Box: 5000	▪ Pieces/Out Box: 5000	▪ Pieces/In Box: 1000
Height:	39.00 mm		▪ Pieces/In Box: 1000	▪ Pieces/In Box: 1000	▪ Pieces/Sleeve: 200
			▪ Pieces/Sleeve: 500	▪ Pieces/Sleeve: 250	

- Technical Drawing

