

## PCR Tube

(#60001/60008/60011/60018)

### 1. Description

SPL provides 0.2ml PCR tube in standardized form, applicable to almost all laboratory PCR equipments.

The wall of the PCR tube is designed relatively thin to optimally conduct heat to reaction solution. The tight sealing between tube body and its cap ensures minimal evaporation and prevents sample leakages. The cap is provided in 2 different forms, flat and dome. Flat type is useful when labeling is required, while dome type prevent reaction solution from binding to the cap surface.

SPL provides single type, composed of single PCR tube and its cap, and strip type, composed of 8 bodies and 8 caps connected horizontally

### 2. Features

- ❖ Designed to prevent contamination
- ❖ Design for effective thermal conductivity
- ❖ Smooth opening and tight sealing
- ❖ 2 type tube: Single or Strip
- ❖ 2 type cap: Flat or Dome
- ❖ Seperate Packaging of bodies and caps (Cat.No. 60008, 60018)

### 3. Functional Test

Sterility	:	Passed
Cytotoxicity	:	Passed
Non-Pyrogenic	:	Passed
RNase/DNase free	:	Passed
DNA free	:	Passed

### 4. Product Range

Cat.No.	Material	Cap Type	Tube Type	Total Volume (ml)	Sterile	Packaging
60001	PP	Flat	Single	0.2	-	500 / 1000
60008	PP	Flat	Strip	0.2	-	120 / 120
60011	PP	Dome	Single	0.2	-	500 / 1000
60018	PP	Dome	Strip	0.2	-	120 / 120

### 5. Certification

SPL Life Sciences hereby certifies that the product identified above, inspected to be in compliance with product quality specification and requirements as documented in our ISO 9001:2015 Quality Management System (K-QA-Q031478) in Korea.

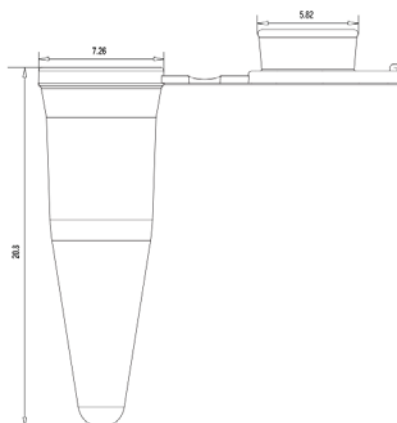
## 6. Specifications & Technical Drawing

(1) PCR Tube (Single Type Flat Cap, # 60001)

- Specifications

Dimensions		Material (Resin)	Packaging
Diameter:	7.26 mm	Polypropylene (PP)	<ul style="list-style-type: none"> <li>▪ Pieces/Sleeve: 500</li> <li>▪ Pieces/Case: 1000</li> </ul>
Height:	20.80 mm		
Volume:	0.20 ml		

- Technical Drawing

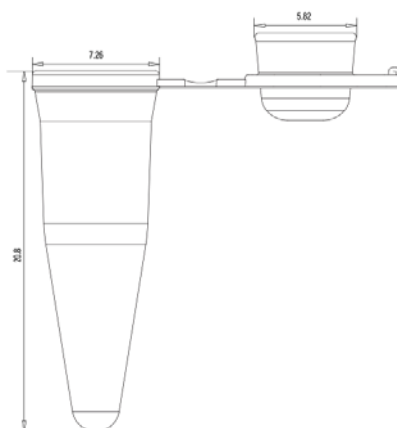


(2) PCR Tube (Single Type Dome Cap, # 60011)

- Specifications

Dimensions		Material (Resin)	Packaging
Diameter:	7.26 mm	Polypropylene (PP)	<ul style="list-style-type: none"> <li>▪ Pieces/Sleeve: 500</li> <li>▪ Pieces/Case: 1000</li> </ul>
Height:	20.80 mm		
Volume:	0.20 ml		

- Technical Drawing



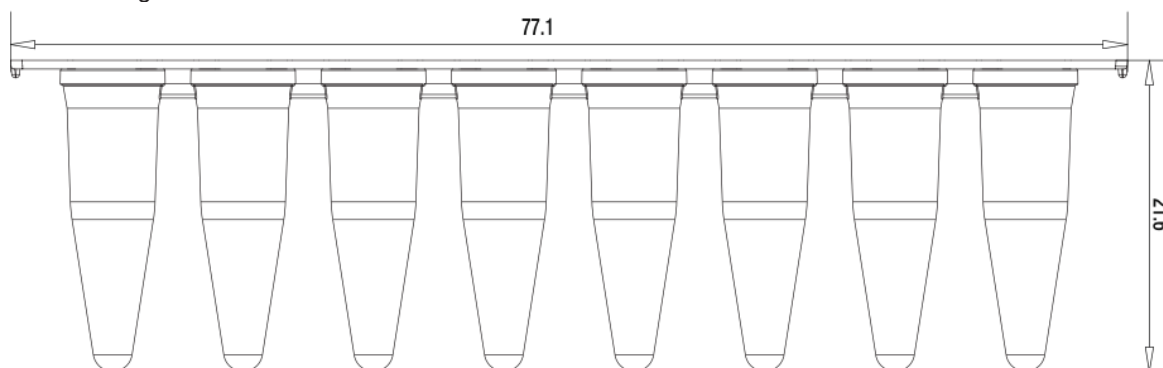
SPL-TDS-PCRT

## (3) PCR Tubr (Strip Type Flat Cap, # 60008)

### - Specifications

Dimensions		Material (Resin)	Packaging
Diameter:	7.26 mm	Polypropyrene (PP)	<ul style="list-style-type: none"> <li>▪ Pieces/Sleeve: 120</li> <li>▪ Pieces/Case: 120</li> </ul>
Height:	21.60 mm		
Width:	77.10 mm		
Volume/Tube:	0.20 ml		

### - Technical Drawing



## (4) PCR Tube (Strip Type Dome Cap, # 60018)

### - Specifications

Dimensions		Material (Resin)	Packaging
Diameter:	7.26 mm	Polypropyrene (PP)	<ul style="list-style-type: none"> <li>▪ Pieces/Sleeve: 120</li> <li>▪ Pieces/Case: 120</li> </ul>
Height:	21.60 mm		
Width:	77.10 mm		
Volume/Tube:	0.20 ml		

### - Technical Drawing

