

## Sample Cup (#400720, 400730)

### 1. Description

SPL Sample Cups are designed for clinical pathology testing of blood.

### 2. Features

- ❖ Suitable for an automation equipment (#400720: Toshiba / #400730: Hitachi analyzers)
- ❖ Useful for clinical pathology testing
- ❖ Skirted, self-standing type

### 3. Product Range

Cat.No.	Material	Working Volume (ml)	Packaging
400720	PS	2.00	1,000 / 10,000
400730	PS	3.00	1,000 / 6,000

### 4. Certification

SPL Life Sciences hereby certifies that the product identified above, inspected to be in compliance with product quality specification and requirements as documented in our ISO 9001:2015 Quality Management System (K-QA-Q031478) in Korea.

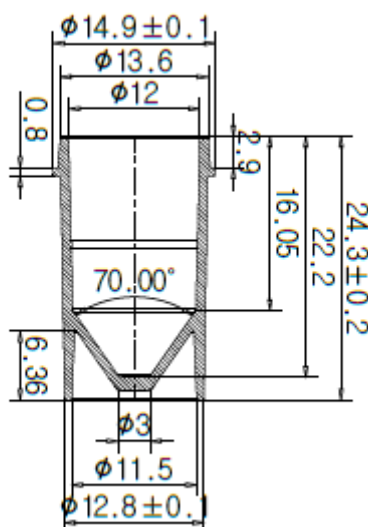
### 5. Specifications & Technical Drawing

(1) 2 ml Sample Cup (#400720)

- Specifications

Dimensions	Material (Resin)	Packaging
Diameter <sub>Top-Outer</sub> : 13.60 mm Diameter <sub>Top-Inner</sub> : 12.00 mm Height: 24.30 mm Volume: 2.00 ml	Polystyrene (PS)	<ul style="list-style-type: none"> <li>▪ Pieces/Sleeve: 1,000</li> <li>▪ Pieces/Case: 10,000</li> </ul>

- Technical Drawing



(2) 3 ml Sample Cup (#400730)

- Specifications

Dimensions		Material (Resin)	Packaging
Diameter <sub>Top-Outer:</sub>	17.20 mm	Polystyrene (PS)	<ul style="list-style-type: none"> <li>▪ Pieces/Sleeve: 1,000</li> <li>▪ Pieces/Case: 6,000</li> </ul>
Diameter <sub>Top-Inner:</sub>	15.20 mm		
Diameter <sub>Center-Top:</sub>	10.00 mm		
Diameter <sub>Center-Bottom:</sub>	9.70 mm		
Well Radius <sub>Outer:</sub>	3.5 mm		
Well Radius <sub>Inner:</sub>	2.5 mm		
Height:	23.50 mm		
Volume:	3.00 ml		

- Technical Drawing

