

## Cell Culture Flask

(#70012/70112/70312/70212/70025/70125/70325/70225/70075/70157/70375/70275/71175/72175/74175/73175/700225/701225/703225/702225)

### 1. Description

Cell Culture Flasks of SPL Life Sciences are ergonomically designed for easy handling, while achieving minimal contamination during cell culture. Short, wide and angled neck design enables easy access of serological pipettes and cell scrapers. Flasks are divided into 6 types, depending on the culture scale and the cap type. Cell growth area for T12.5, T25, T75 and T175 are 12.5 cm<sup>2</sup>, 25 cm<sup>2</sup>, 75 cm<sup>2</sup>, 175 cm<sup>2</sup> and 225 cm<sup>2</sup> respectively. Each flask can be provided with plug or filter caps.

### 2. Features

- ❖ Ergonomic design to facilitate easy handling and minimize contamination
- ❖ Short & wide neck with angled design allow easy access
- ❖ Excellent stackability
- ❖ Plugs & filter caps are available for all flask models
- ❖ Cell growth area ranging from 12.5 cm<sup>2</sup>, 25 cm<sup>2</sup>, 75 cm<sup>2</sup>, 175 cm<sup>2</sup>, 225 cm<sup>2</sup>
- ❖ Venting position for 175 cm<sup>2</sup> plug cap model (Cat. No. 72175, 73175, 701225)
- ❖ Non-treated models (for suspension culture) are provided with white caps

### 3. Functional Test

Sterility	:	Passed
Cytotoxicity	:	Passed
Non-Pyrogenic	:	Passed
RNase/DNase free	:	Passed
DNA free	:	Passed

### 4. Product Range

#### T12.5 Flask

Cat.No.	Material	Cap Type	Growth Area (cm <sup>2</sup> )	Working Volume (ml)	Total Volume (ml)	Surface Treatment	Sterile	Packaging
70012	PS	Filter	12.5	5	25	+	+	5 / 200
70112	PS	Plug	12.5	5	25	+	+	5 / 200
70312	PS	Filter	12.5	15	25	-	+	5 / 200
70212	PS	Plug	12.5	15	25	-	+	5 / 200

#### T25 Flask

Cat.No.	Material	Cap Type	Growth Area (cm <sup>2</sup> )	Working Volume (ml)	Total Volume (ml)	Surface Treatment	Sterile	Packaging
70025	PS	Filter	25	7	60	+	+	5 / 200
70125	PS	Plug	25	7	60	+	+	5 / 200
70325	PS	Filter	25	40	60	-	+	5 / 200
70225	PS	Plug	25	40	60	-	+	5 / 200



www.prolabcorp.com  
 Ph: +1 305 600.0444  
 12086 Miramar Pkwy  
 Miramar, Florida, 33025

SPL-TDS-CCF

For Research Use Only. Not intended for use in diagnostic or therapeutic procedures.  
 © SPL Life Sciences Co., Ltd., Version 8, May 23<sup>rd</sup>, 2022



**T75 Flask**

Cat.No.	Material	Cap Type	Growth Area (cm <sup>2</sup> )	Working Volume (ml)	Total Volume (ml)	Surface Treatment	Sterile	Packaging
70075	PS	Filter	75	25	250	+	+	5/100
70175	PS	Plug	75	25	250	+	+	5/100
70375	PS	Filter	75	170	250	-	+	5/100
70275	PS	Plug	75	170	250	-	+	5/100

**T175 Flask**

Cat.No.	Material	Cap Type	Growth Area (cm <sup>2</sup> )	Working Volume (ml)	Total Volume (ml)	Surface Treatment	Sterile	Packaging
71175	PS	Filter	175	50	650	+	+	5/40
72175	PS	Plug	175	50	650	+	+	5/40
74175	PS	Filter	175	450	650	-	+	5/40
73175	PS	Plug	175	450	650	-	+	5/40

**T225 Flask**

Cat.No.	Material	Cap Type	Growth Area (cm <sup>2</sup> )	Working Volume (ml)	Total Volume (ml)	Surface Treatment	Sterile	Packaging
700225	PS	Filter	225	60	850	+	+	5/25
701225	PS	Plug	225	60	850	+	+	5/25
703225	PS	Filter	225	600	850	-	+	5/25
702225	PS	Plug	225	600	850	-	+	5/25

**5. Certification**

SPL Life Sciences hereby certifies that the product identified above, inspected to be in compliance with product quality specification and requirements as documented in our ISO 9001:2015 Quality Management System (K-QA-Q031478) in Korea.



www.prolabcorp.com  
 Ph: +1 305 600.0444  
 12086 Miramar Pkwy  
 Miramar, Florida, 33025

SPL-TDS-CCF

*For Research Use Only. Not intended for use in diagnostic or therapeutic procedures.*  
 © SPL Life Sciences Co., Ltd., Version 8, May 23<sup>th</sup>, 2022



## 6. Specifications & Technical Drawing

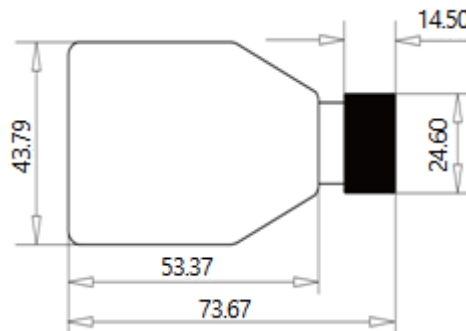
(1) T12.5 Cell Culture Flask (#70012/70112/70312/70212)

- Specifications

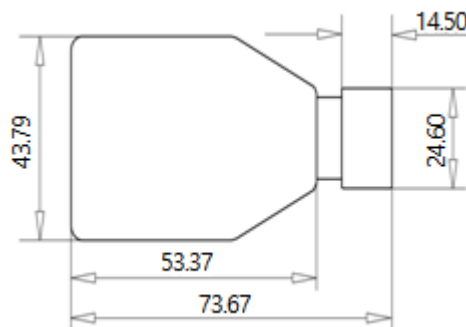
Dimensions		Material (Resin)	Packaging
Cap	Body		
Width: 24.60 mm Height: 14.50 mm	Length: 53.37 mm Width: 43.79 mm Height: 27.60 mm	Crystal-grade polystyrene (PS)	<ul style="list-style-type: none"> <li>• Pieces/Sleeve: 5</li> <li>• Pieces/Case: 200</li> </ul>
Total Volume: 25.00 ml Growth Area: 12.50 cm <sup>2</sup>			

- Technical Drawing

**Cell Culture-Treated (#70012/70112) – Green Caps**  
Working Volume: 5.00 ml



**Non-Treated (#70312/70212) – White Caps**  
Working Volume: 15.00 ml



www.prolabcorp.com  
Ph: +1 305 600.0444  
12086 Miramar Pkwy  
Miramar, Florida, 33025

SPL-TDS-CCF

For Research Use Only. Not intended for use in diagnostic or therapeutic procedures.  
© SPL Life Sciences Co., Ltd., Version 8, May 23<sup>rd</sup>, 2022

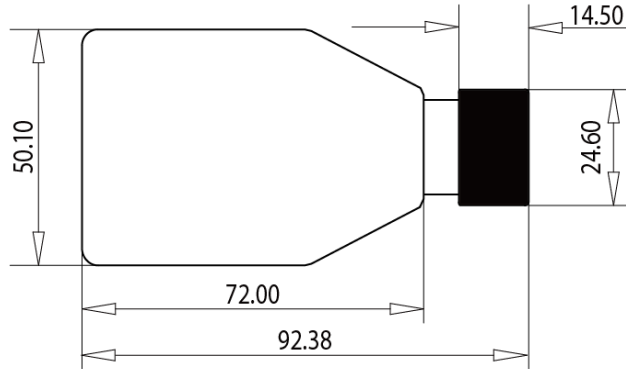


(2) T25 Cell Culture Flask (#70025/70125/70325/70225)  
 - Specifications

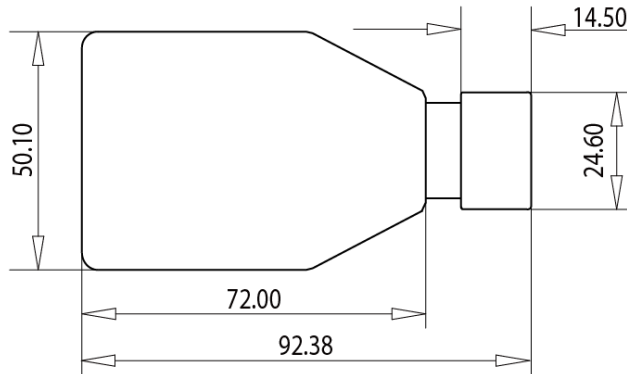
Dimensions		Material (Resin)	Packaging
Cap	Body		
Width: 24.60 mm Height: 14.50 mm	Length: 72.00 mm Width: 50.10 mm Height: 27.60 mm	Crystal-grade polystyrene (PS)	<ul style="list-style-type: none"> <li>• Pieces/Sleeve: 5</li> <li>• Pieces/Case: 200</li> </ul>
Total Volume: Growth Area:	60.00 ml 25.00 cm <sup>2</sup>		

- Technical Drawing

Cell Culture-Treated (#70025/70125) – Green Caps  
 Working Volume: 7.00 ml



Non-Treated (#70325/70225) – White Caps  
 Working Volume: 40.00 ml



www.prolabcorp.com  
 Ph: +1 305 600.0444  
 12086 Miramar Pkwy  
 Miramar, Florida, 33025

SPL-TDS-CCF

For Research Use Only. Not intended for use in diagnostic or therapeutic procedures.  
 © SPL Life Sciences Co., Ltd., Version 8, May 23<sup>th</sup>, 2022

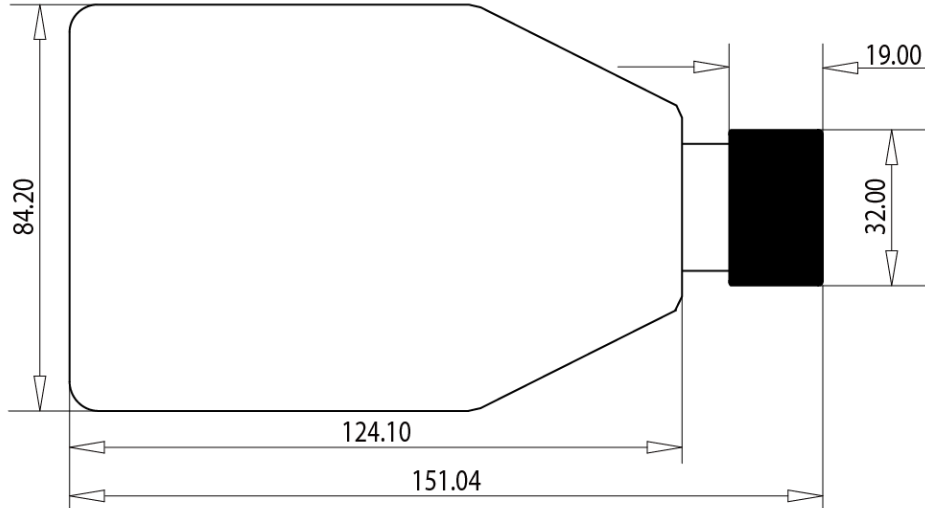


(3) T75 Cell Culture Flask (#70075/70175/70375/70275)  
 - Specifications

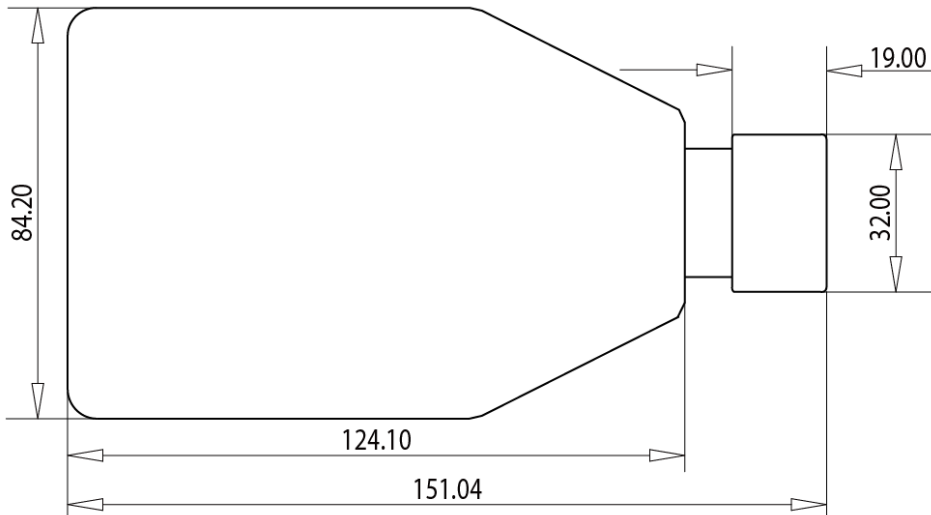
Dimensions		Material (Resin)	Packaging
Cap	Body		
Width: 32.00 mm Height: 19.00 mm	Length: 124.10 mm Width: 84.20 mm Height: 39.60 mm	Crystal-grade polystyrene (PS)	<ul style="list-style-type: none"> <li>• Pieces/Sleeve: 5</li> <li>• Pieces/Case: 100</li> </ul>
Total Volume: 250.00 ml Growth Area: 75.00 cm <sup>2</sup>			

- Technical Drawing

Cell Culture-Treated (#70075/70175) – Green Caps  
 Working Volume: 25.00 ml



Non-Treated (#70375/70275) – White Caps  
 Working Volume: 170.00 ml



www.prolabcorp.com  
 Ph: +1 305 600.0444  
 12086 Miramar Pkwy  
 Miramar, Florida, 33025

SPL-TDS-CCF

For Research Use Only. Not intended for use in diagnostic or therapeutic procedures.  
 © SPL Life Sciences Co., Ltd., Version 8, May 23<sup>th</sup>, 2022



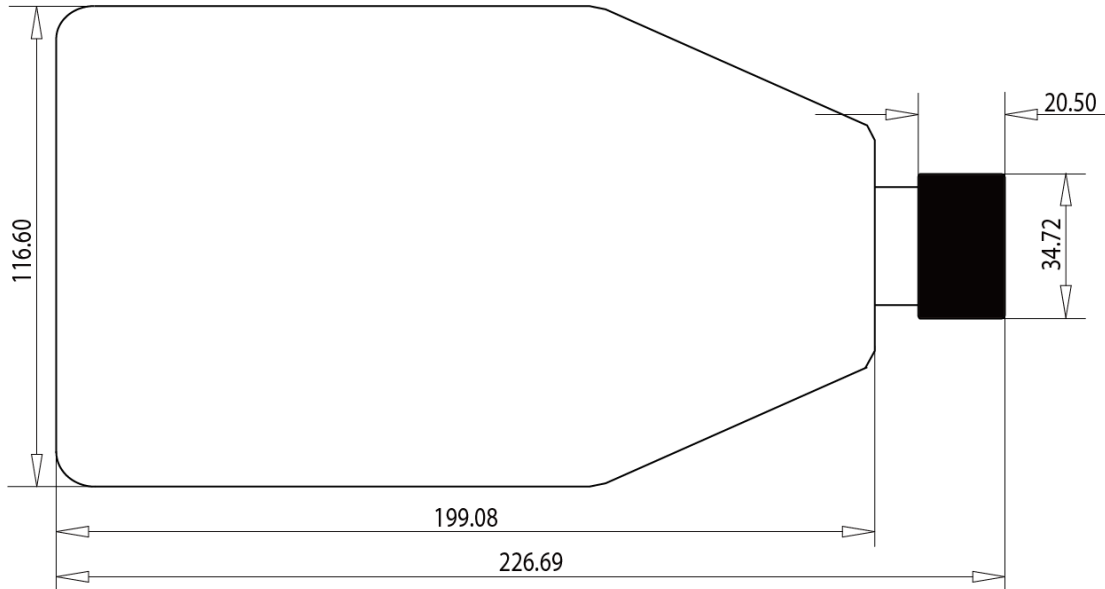
## (4) T175 Cell Culture Flask (#71175/72175/74175/73175)

## - Specifications

Dimensions		Material (Resin)	Packaging
Cap	Body		
Width:	34.72 mm	Crystal-grade polystyrene (PS)	<ul style="list-style-type: none"> <li>• Pieces/Sleeve: 5</li> <li>• Pieces/Case: 40</li> </ul>
Height:	20.50 mm		
Total Volume:		450.00 ml	
Growth Area:		175.00 cm <sup>2</sup>	

## - Technical Drawing

Cell Culture-Treated (#71175/72175) – Green Caps  
Working Volume: 50.00 ml



Non-Treated (#74175/73175) – White Caps  
Working Volume: 450.00 ml



www.prolabcorp.com  
Ph: +1 305 600.0444  
12086 Miramar Pkwy  
Miramar, Florida, 33025

SPL-TDS-CCF

For Research Use Only. Not intended for use in diagnostic or therapeutic procedures.  
© SPL Life Sciences Co., Ltd., Version 8, May 23<sup>rd</sup>, 2022

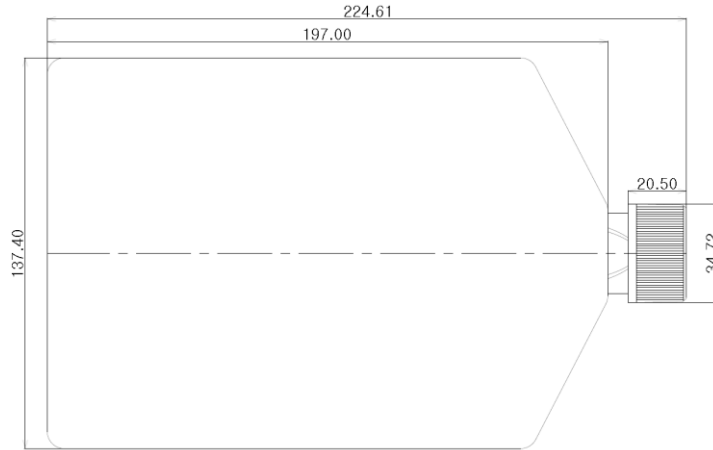


(5) T225 Cell Culture Flask (#700225/701225/703225/702225)  
 - Specifications

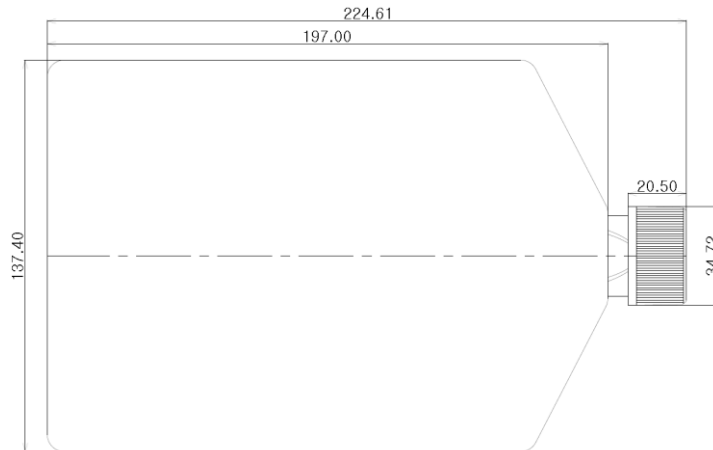
Dimensions		Material (Resin)	Packaging
Cap	Body		
Width: 34.72 mm Height: 20.50 mm	Length: 197.00 mm Width: 137.40 mm Height: 50.00 mm	Crystal-grade polystyrene (PS)	<ul style="list-style-type: none"> <li>• Pieces/Sleeve: 5</li> <li>• Pieces/Case: 25</li> </ul>
Total Volume: 850.00 ml Growth Area: 225.00 cm <sup>2</sup>			

- Technical Drawing

Cell Culture-Treated (#700225/701225) – Green Caps  
 Working Volume: 60.00 ml



Cell Culture-Treated (#703225/702225) – White Caps  
 Working Volume: 600.00 ml



www.prolabcorp.com  
 Ph: +1 305 600.0444  
 12086 Miramar Pkwy  
 Miramar, Florida, 33025